

Pressure Control Valves

Pressure Reducing Valves DM 512, 513, 517

High Press. and Control Ranges lower than 2 bar



Technical Data

Connection DN	15 - 50
Connection G	3/8 - 2
Nominal Pressure PN	100
Inlet Pressure	up to 100 bar
Outlet Pressure	0.005 - 2 bar
K _{vs} -Value	0.2 - 5.5 m ³ /h
Temperature	130 °C
Medium	liquids and gases

Description

Medium-controlled pressure reducers are simple control valves offering accurate control while being easy to install and maintain. They control the pressure downstream of the valve without requiring pneumatic or electrical control elements.

The DM 512, DM 513 and DM 517 pressure reducing valves are diaphragm-controlled spring-loaded proportional control valves for high inlet and low outlet pressures. They can be supplied with three types of connections: sockets, flanges and welding spigots. Each size of valve may be fitted with three different seats. The valve cone may be fitted with a soft or metallic seal.

When the pipeline is depressurised the valve spring keeps the cone in "open" position. As the pressure rises the fluid flows from the inlet side through the valve seat into the body and acts on the diaphragm/spring mechanism from the outlet side (outlet pressure).

The outlet pressure to be controlled is balanced across the diaphragm by the force of the valve spring (set pressure). As the outlet pressure rises above the pressure set using the adjusting screw, the valve cone moves towards the seat and the volume of medium is reduced. As the outlet pressure drops the valve control orifice increases; when the pipeline is depressurised the valve is open. Rotating the adjusting screw clockwise increases the outlet pressure.

The valves requires a sense line (to be installed on-site).

These valves are no shut-off elements ensuring a tight closing of the valve. In accordance with the VDI/VDE guideline 2174 a leakage rate of 0.05 percent of the constant volume flow is permitted for the valve in closed position.

Options

- » pressure gauge connection
- » hard-faced valve cone and seat
- » for toxic or hazardous media: sealed spring cap complete with leakage line connection (incl. sealed adjusting screw). Must be installed with a leakage line capable of draining leaking medium safely and without pressure
- » various diaphragm and seal materials suitable for your medium
- » special materials such as Duplex, Superduplex, Hastelloy® or titanium, others on request
- » special connections: ANSI or JIS flanges, NPT, welding spigots; other connections on request
- » special versions on request

Operating instructions, know how and safety instructions must be observed. All the pressure has always been indicated as overpressure. We reserve the right to alter technical specifications without notice.



Nominal Pressure, K_{vs}-Values, Setting Ranges and Permissible Reduction Ratio see sheet no. DM 512/2.1.121.3

Pressure Control Valves

Pressure Reducing Valves DM 512, 513, 517

High Press. and Control Ranges lower than 2 bar



Materials

Temperature	80 °C	130 °C
Body	G 3/8 - 1, DN 15 - 25 = C-steel G 1 1/4 - 2, DN 32 - 50 = steel welded optional CrNiMo-steel for all body sizes	
Spring Cap	steel welded optional CrNiMo-steel	
Internals	CrMo-steel optional CrNiMo-steel	
Spring	CrNi-steel	CrNi-steel
Valve Seal	EU	FPM optional EPDM, PTFE
Metallic Seal	CrNiMo-steel	CrNiMo-steel
Diaphragm	EPDM	FPM optional EPDM
Protection Foil	PTFE (option)	PTFE (option)

Dimensions DM 512 [mm]

pressure range bar	size	nominal diameter G		
		G 3/8 - 1/2	G 3/4 - 1	1 1/4 - 2
all ranges	A	140	170	250
	B	80	80	110
	C	470	470	max. 720
0.005 - 0.07	D	500	500	850
0.02 - 0.1	D	360	360	500
0.05 - 0.4	D	270	270	360
0.1 - 0.8	D	220	220	270
0.3 - 2	D	175	175	220

Dimensions DM 513 [mm]

pressure range bar	size	nominal diameter DN		
		DN 15 - 25	DN 32-40	DN 50
all ranges	A ₁	220	280*	300*
	B	80	110	110
	C	470	max. 720	max. 720
0.005 - 0.07	D	500	850	850
0.02 - 0.1	D	360	500	500
0.05 - 0.4	D	270	360	360
0.1 - 0.8	D	220	270	270
0.3 - 2	D	175	220	220

Dimensions DM 517 [mm]

pressure range bar	size	nominal diameter G			
		G 3/8 - 1	G 1 1/4 - 1 1/2	2	
all ranges	A	220	270	300	
	B	80	110	110	
	C	470	max. 720	max. 720	
0.005 - 0.07	D	500	850	850	
0.02 - 0.1	D	360	500	500	
0.05 - 0.4	D	270	360	360	
0.1 - 0.8	D	220	270	270	
0.3 - 2	D	175	220	220	

Weights DM 512, 517 [kg]

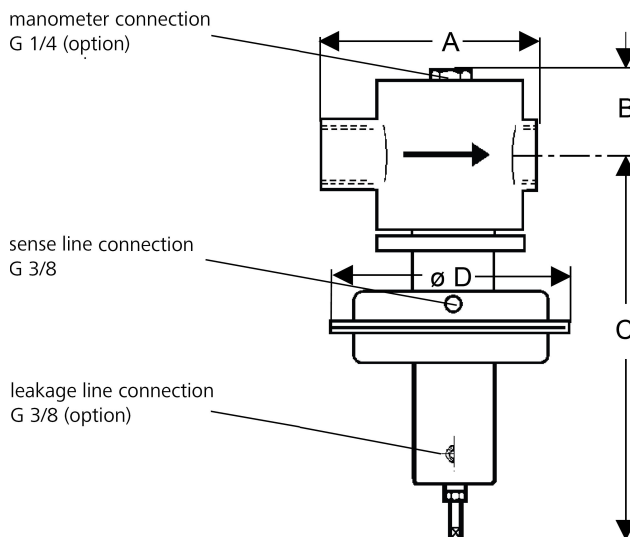
pressure range bar	nominal diameter G						
	G 3/8	G 1/2	G 3/4	G 1	G 1 1/4	G 1 1/2	G 2
0.005 - 0.07	36	36	37	38	75	75	75
0.02 - 0.1	40	40	41	42	47	47	47
0.05 - 0.4	37	37	38	39	39	39	39
0.1 - 0.8	25	25	26	27	37	37	37
0.3 - 2	19	19	20	21	35	35	35

weights for DM 513 on request

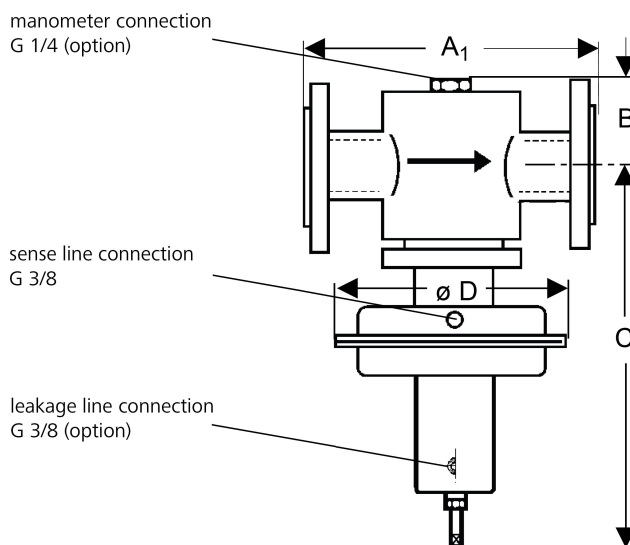
Special designs on request.
The pressure has always been indicated as overpressure.
Mankenberg reserves the right to alter or improve the designs or specifications of the products described herein without notice.

Dimensional Drawing

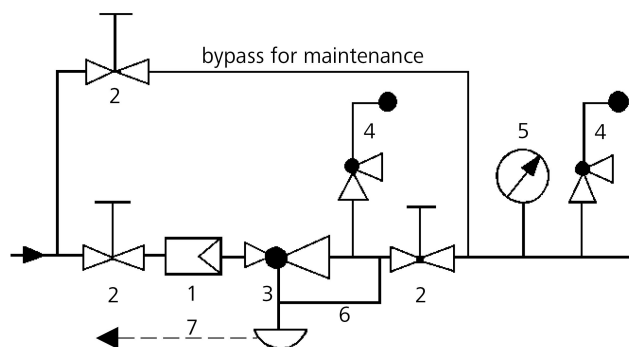
DM 512, DM 517



DM 513



Recommended Installation



- 1 Strainer
 - 2 Shut-off Valves
 - 3 Pressure Reducer
 - 4 Safety Valves
 - 5 Pressure Gauge
 - 6 Sense Line G 3/8
 - 7 Leakage Line G 3/8 (option)
- sense line connection 10 - 20 x DN behind the valve
use MANKENBERG-Products

Pressure Control Valves

Pressure Reducing Valves DM 512, 513, 517

High Press. and Control Ranges lower than 2 bar



K _{vs} -Values [m ³ /h]								
nominal diameter								
G	3/8	1/2	3/4	1	1 1/4	1 1/2	2	
DN	-	15	20	25	32	40	50	
seat	I	0.2	0.2	0.25	0.25	0.4	0.4	1
	II	0.9	0.9	0.9	0.9	2.5	2.5	3.5
	III	1.7	1.8	2	2.2	3.9	3.9	5.5

Setting Ranges [bar], Nominal Pressure DM 512, 513, 517			
0.005 - 0.07	0.02 - 0.1	0.05 - 0.4	0.1 - 0.4
PN 100/1	PN 100/1	PN 100/1	PN 100/1
0.4 - 0.8	0.3 - 1	1 - 2	
PN 100/1.6	PN 100/1.6	PN 100/6	

Special designs on request.
 The pressure has always been indicated as overpressure.
 Mankenberg reserves the right to alter or improve the designs or specifications of the products described herein without notice.

Max. Permissible Reduction Ratio (p ₁ /p ₂) DM 512, 513, 517				
setting range bar	seat	nominal diameter		
		G 3/8 - 1 DN 15 - 25	G 1 1/4 - 1 1/2 DN 32 - 40	G 2 DN 50
0.005 - 0.07	I	4000	6570	4865
	II	1500	2390	1490
	III	600	1200	1010
0.02 - 0.1	I	200	1950	1445
	II	800	710	440
	III	300	355	300
0.05 - 0.4	I	1000	1020	755
	II	400	370	230
	III	150	185	155
0.1 - 0.4	I	700	510	375
	II	200	185	115
	III	90	90	75
0.4 - 0.8	I	700	510	375
	II	200	185	115
	III	90	90	75
0.3 - 1	I	300	280	205
	II	100	100	60
	III	40	50	40
1 - 2	I	300	280	205
	II	100	100	60
	III	40	50	40