

# Pressure Control Valves

## Backpressure Regulators UV 1.2

Valves for Simple Regulation Tasks



### Technical Data

Connection DN	25 - 200
Nominal Pressure PN	16 - 40
Inlet Pressure	2 - 40
K <sub>vs</sub> -Value	6 - 125 m <sup>3</sup> /h
Temperature	300 °C
Medium	liquids and gases

### Description

Medium-controlled overflow valves are simple control valves offering accurate control while being easy to install and maintain. They control the pressure upstream of the valve without requiring pneumatic or electrical control elements.

The UV 1.2 overflow valve is a spring-loaded seat-controlled proportional control valve featuring diaphragm, piston or bellows control. It is designed for simple control tasks and medium volumes. The valve cone can be fitted with a metallic or soft seal.

The inlet pressure to be controlled is balanced across the valve seat by the force of the valve spring (set pressure). If the inlet pressure rises above the set pressure, the valve opens. With decreasing inlet pressure the valve control orifice reduces, when the pipeline is depressurised the valve is closed. Rotating the adjusting screw clockwise increases the inlet pressure.

These valves are no shut-off elements ensuring a tight closing of the valve. In accordance with the VDI/VDE guideline 2174 a leakage rate of 0.05 percent of the constant volume flow is permitted for the valve in closed position.

### Options

- » for toxic or hazardous media: sealed spring cap complete with leakage line connection (incl. sealed adjusting screw). Must be installed with a leakage line capable of draining leaking medium safely and without pressure
- » various diaphragm and seal materials suitable for your medium
- » special versions on request

Operating instructions, know how and safety instructions must be observed. All the pressure has always been indicated as overpressure. We reserve the right to alter technical specifications without notice.



ill. similar

K <sub>vs</sub> -Values [m <sup>3</sup> /h]					
seat	nominal diameter DN				
	25	32	40	50	65
I	6	12	15	20	35
II	-	6	12	15	20
III	-	-	6	12	15

K <sub>vs</sub> -Values [m <sup>3</sup> /h]					
seat	nominal diameter DN				
	80	100	125	150	200
I	40	50	80	95	125
II	35	40	50	80	95
III	20	35	40	50	80

# Pressure Control Valves

## Backpressure Regulators UV 1.2



Valves for Simple Regulation Tasks

### Materials

Temperature	80 °C	130 °C	300 °C	
Body	PN 16	up to DN 25 grey cast iron from DN 40 spheroidal cast iron		
	PN 40	cast steel	cast steel	cast steel
	PN 16 - 40	CrNiMo-steel	CrNiMo-steel	CrNiMo-steel
Spring Cap	steel welded optional CrNiMo-steel			
Spring	spring steel optional CrNiMo-steel			
Metallic Seal	CrNi-steel optional CrNiMo-steel			
Soft Seal	NBR	EPDM optional FPM	-	
Diaphragm	CR	EPDM optional FPM	-	
O-Ring	NBR	EPDM optional FPM or FXM	-	
Bellow	CrNiMo-steel	CrNiMo-steel	CrNiMo-steel	

### Dimensions [mm]

size	nominal pressure	nominal diameter DN				
		25	32	40	50	65
A	PN 16 - 40	160	180	200	230	290
B	PN 16 - 40	-	72	72	72	102
C	PN 16 - 40	on request				

### Dimensions [mm]

size	nominal pressure	nominal diameter DN				
		80	100	125	150	200
A	PN 16 - 40	310	350	400	480	600
B	PN 16 - 40	102	102	240	240	270
C	PN 16 - 40	on request				

### Weights [kg]

nominal pressure	nominal diameter DN									
	25	32	40	50	65	80	100	125	150	200
PN 16	12	17	20	22	32	40	60	100	120	220
PN 40	14	20	24	28	42	50	70	115	140	250

Special designs on request.

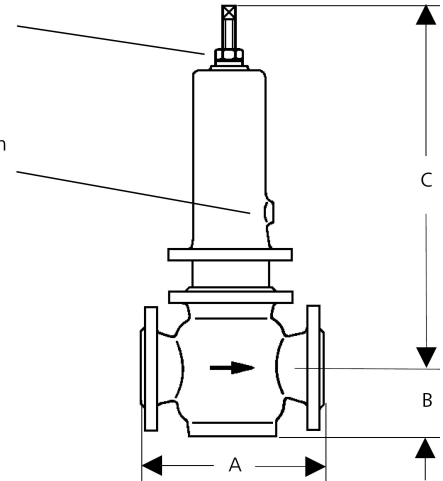
The pressure has always been indicated as overpressure.

Mankenberg reserves the right to alter or improve the designs or specifications of the products described herein without notice.

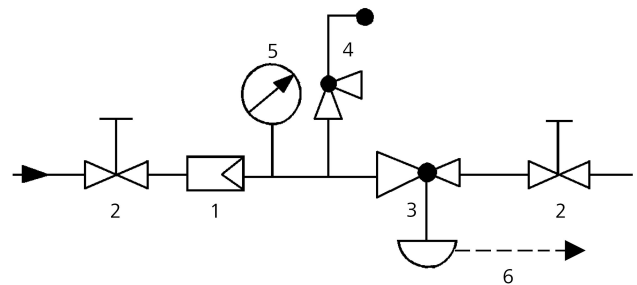
### Dimensional Drawing

set screw sealing (option)

leakage line connection G 3/8 (option)



### Recommended Installation



- 1 Strainer
  - 2 Shutoff valves
  - 3 Overflow Valve
  - 4 Safety Valve
  - 5 Pressure Gauge
  - 6 Leakage Line G 3/8 (option)
- use MANKENBERG-Products