

Pressure Control Valves

Backpressure Regulators UV 3.2

Valve for small and medium Flow Rates



Technical Data

| | |
|------------------------|-----------------------------|
| Connection DN | 15 - 50 |
| Nominal Pressure PN | 16 - 40 |
| Inlet Pressure | 2 - 40 bar |
| K _{vs} -Value | 0.2 - 5.5 m ³ /h |
| Temperature | 300 |
| Medium | liquids and gases |

Description

Medium-controlled overflow valves are simple control valves offering accurate control while being easy to install and maintain. They control the pressure upstream of the valve without requiring pneumatic or electrical control elements.

The UV 3.2 overflow valve is a spring-loaded proportional control valve featuring diaphragm, piston or bellows control. It is designed for small volumes. The valve cone can be fitted with a metallic or soft seal.

The inlet pressure to be controlled is balanced across the valve seat by the force of the valve spring (set pressure). If the inlet pressure rises above the set pressure, the valve opens. With decreasing inlet pressure the valve control orifice reduces, when the pipeline is depressurised the valve is closed. Rotating the adjusting screw clockwise increases the inlet pressure.

Options

- » for toxic or hazardous media: sealed spring cap complete with leakage line connection (incl. sealed adjusting screw). Must be installed with a leakage line capable of draining leaking medium safely and without pressure
- » various diaphragm and seal materials suitable for your medium
- » special versions on request

Operating instructions, know how and safety instructions must be observed. All the pressure has always been indicated as overpressure. We reserve the right to alter technical specifications without notice.



K_{vs}-Values [m³/h]

| seat | nominal diameter DN | | | | | |
|------|---------------------|------|------|-----|-----|-----|
| | 15 | 20 | 25 | 32 | 40 | 50 |
| I | 0.2 | 0.25 | 0.25 | 0.4 | 0.4 | 1 |
| II | 0.9 | 0.9 | 0.9 | 2.5 | 2.5 | 3.5 |
| III | 1.8 | 2.2 | 2.2 | 3.9 | 3.9 | 5.5 |

Pressure Control Valves

Backpressure Regulators UV 3.2



Valve for small and medium Flow Rates

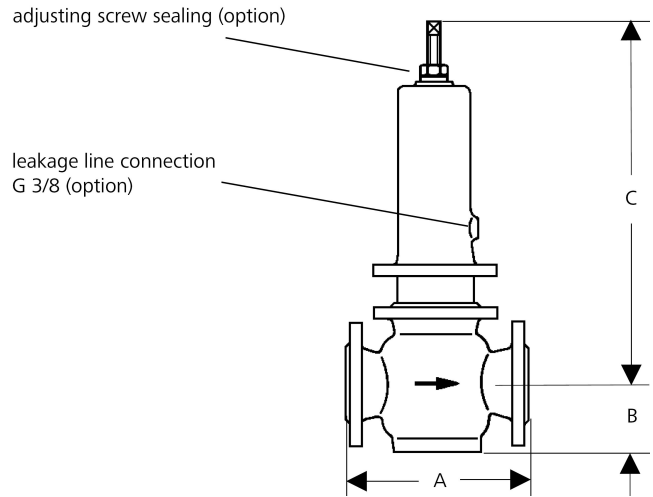
| Materials | | | | |
|---------------|------------------------------------|---|--------------|--------------|
| Temperature | 80 °C | 130 °C | 300 °C | |
| Body | PN 16 | up to DN 25 grey cast iron from DN 40 spheroidal cast iron | | |
| | PN 40 | cast steel | cast steel | cast steel |
| | PN 16 - 40 | CrNiMo-steel | CrNiMo-steel | CrNiMo-steel |
| Spring Cap | steel welded optional CrNiMo-steel | | | |
| Spring | spring steel optional CrNiMo-steel | | | |
| Metallic seal | CrMo-steel optional CrNiMo-steel | | | |
| Soft Seal | NBR | EPDM optional FPM | - | |
| Diaphragm | CR | EPDM optional FPM | - | |
| O-Ring | NBR | EPDM optional FPM or FXM | - | |
| Bellow | CrNiMo-steel | CrNiMo-steel | CrNiMo-steel | |

| Dimensions [mm] | | | | | | |
|-----------------|------------------|---------------------|-----|-----|-----|-----|
| size | nominal pressure | nominal diameter DN | | | | |
| | | 15 | 25 | 32 | 40 | 50 |
| A | PN 16 - 40 | 130 | 160 | 180 | 200 | 230 |
| B | PN 16 - 40 | - | - | 72 | 72 | 72 |
| C | PN 16 - 40 | on request | | | | |

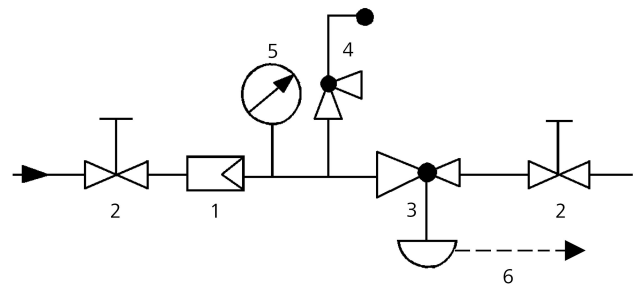
| Weights [kg] | | | | | | |
|------------------|---------------------|----|----|----|----|----|
| nominal pressure | nominal diameter DN | | | | | |
| | 15 | 20 | 25 | 32 | 40 | 50 |
| PN 16 | 10 | 13 | 15 | 17 | 20 | 23 |
| PN 25/40 | 13 | 15 | 17 | 20 | 23 | 26 |

Special designs on request.
The pressure has always been indicated as overpressure.
Mankenberg reserves the right to alter or improve the designs or specifications of the products described herein without notice.

Dimensional Drawing



Recommended Installation



- 1 Strainer
- 2 Shutoff valves
- 3 Overflow Valve
- 4 Safety Valve
- 5 Pressure Gauge
- 6 Leakage Line G 3/8 (option) (option)

use MANKENBERG-Products